

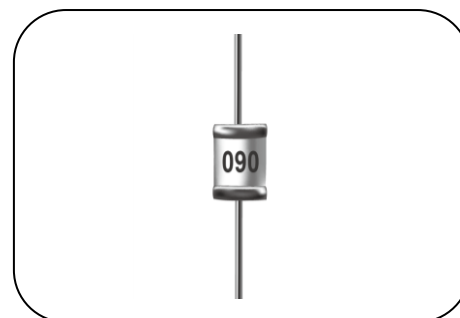
Gas Discharge Tube: GR3 Series



2-Electrode $\Phi 2.8 \times T3.5$ mm Type

■ Features

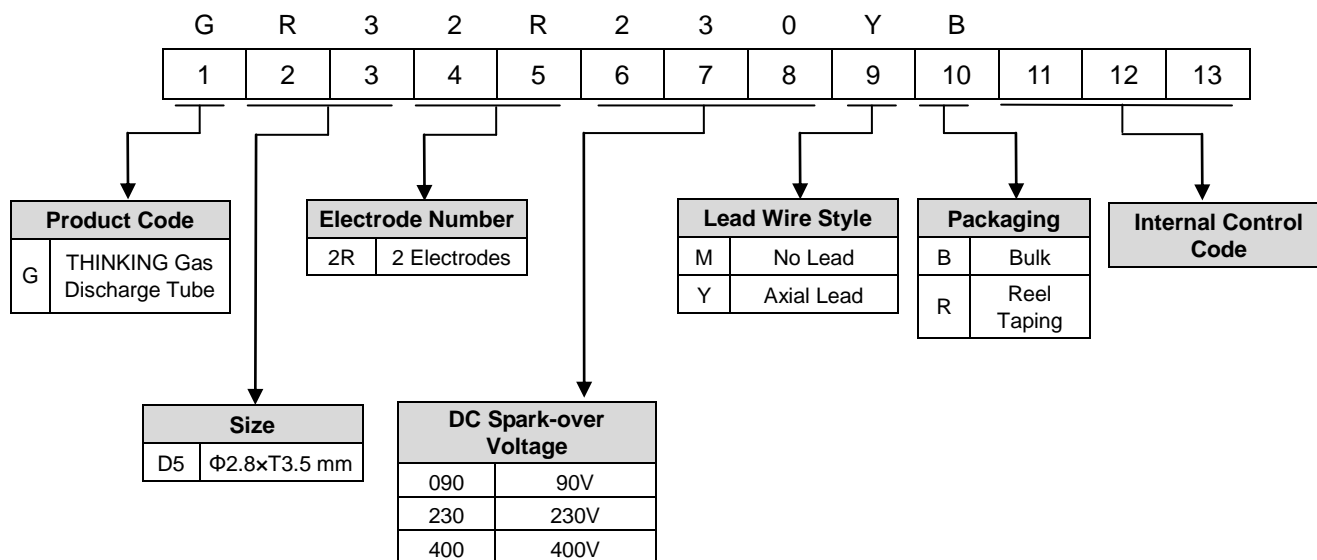
1. RoHS & HF compliant
2. Rugged ceramic-metal construction
3. Available lead wire
4. DC spark-over voltage: 90~400V
5. Low capacitance
6. Agency recognition: UL
7. Operating temperature: $-40^{\circ}\text{C} \sim +105^{\circ}\text{C}$
Storage temperature: $-40^{\circ}\text{C} \sim +115^{\circ}\text{C}$



■ Recommended Applications

1. Cable modem
2. xDSL
3. Set-top box
4. TV sets
5. Power supply
6. Consumer electronics

■ Part Number Code



Gas Discharge Tube: GR3 Series



2-Electrode $\Phi 2.8$ x T3.5 mm Type

Characteristics

Part No.	DC Spark-over Voltage		Max. Impulse Breakdown Voltage		Max. Impulse Discharge Current (8/20 μ s)	Impulse Life (10/1000 μ s)	Normal Alternating Discharge Current	DC Holdover Voltage	Minimum Insulation Resistance	Maximum Capacitance (1MHz)	Safety Approvals
	100V/S	100V/ μ s	1KV/ μ s	10 times	100A	50Hz, 1Sec	<150ms				
	(V)	(V)	(V)	(KA)	(次)	(A)	(V)	(G Ω)			
GR32R090□□	90 \pm 20%	500	600	1	300	1	50	1	0.5	√	
GR32R120□□	120 \pm 20%	600	700				80				√
GR32R150□□	150 \pm 20%	500	600				80				√
GR32R200□□	200 \pm 20%	600	700				135				√
GR32R230□□	230 \pm 20%	600	700				135				√
GR32R250□□	250 \pm 20%	600	700				135				√
GR32R350□□	350 \pm 20%	750	900				135				√
GR32R400□□	400 \pm 20%	800	1000				135				√

Note 1: The first □ is style of lead wire, and the second □ is packaging.

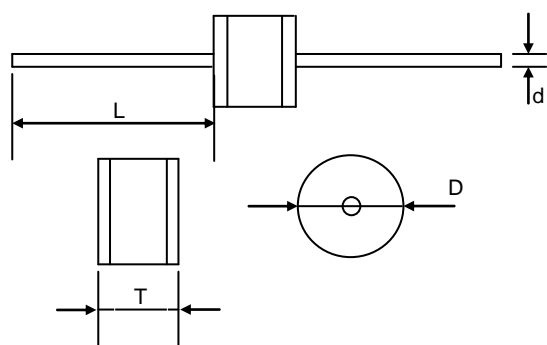
Note 2: UL 497B File No: E245070

Note 3: Insulation resistance test conditions:

DC Spark-over Voltage	DC Measuring Voltage
70-150V	50V
151-400V	100V

Dimension

□ = Y (Axial Lead type)



Unit: mm

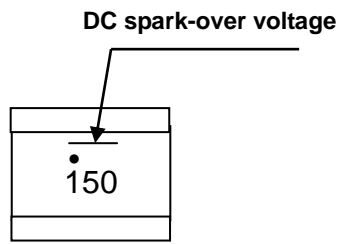
Item	Dimension	
	Spec.	Tolerance
D	2.8	± 0.2
T	3.5	± 0.2
L	20	Min.
d	0.6	± 0.05

Gas Discharge Tube: GR3 Series

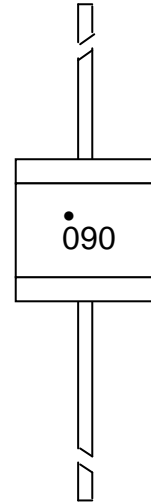
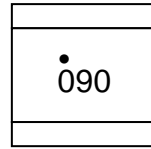
2-Electrode $\Phi 2.8 \times T3.5$ mm Type



■ Marking



Example



Gas Discharge Tube: GR3 Series



2-Electrode $\Phi 2.8$ x T3.5 mm Type

■ Packaging

● Bulk

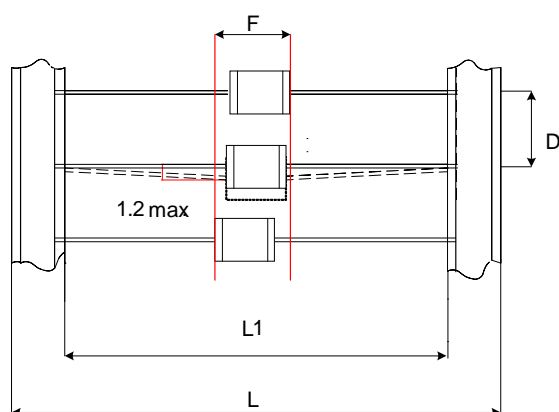
- ◆ Axial lead type (Y Type)

Quantity: 100pcs per PVC Box, 800pcs per Inner Box

Quantity (MPQ): 800pcs

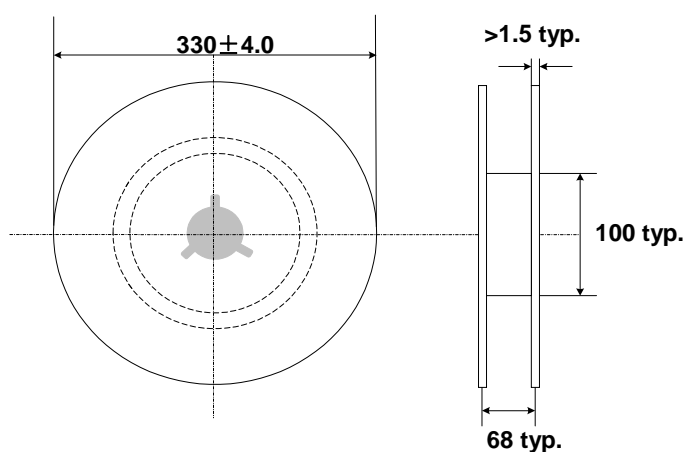
● Taping

Axial lead type (Y Type) : 2000 PCS/reel



Unit: mm

Item	Dimension	
	Spec.	Tolerance
L1	52	± 2
L	64	± 3
D	5	± 0.5
F	$T \pm 1.4$	Max.



■ Warehouse Storage Conditions of Products

● Storage Conditions:

1. Storage Temperature: $-10^{\circ}\text{C} \sim +40^{\circ}\text{C}$
2. Relative Humidity: $\leq 75\% \text{RH}$
3. Keep away from corrosive atmosphere and sunlight.

● Period of Storage: 1 year